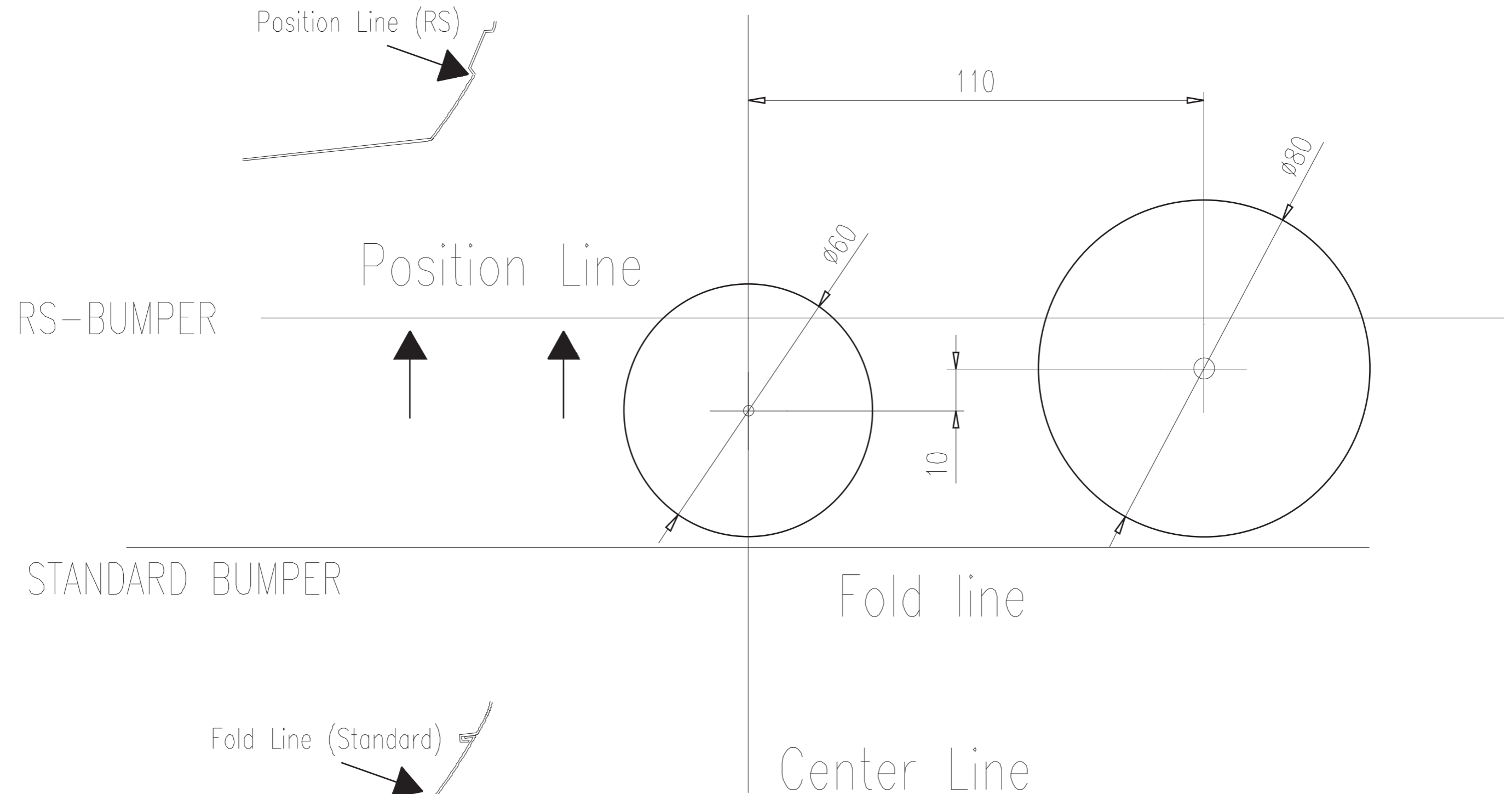


BUMPER CUT OUT WAGON FIXED STANDARD AND RS-BUMPER

3152+3154

3852+3854



BRiNK®